

LED SDLT Grid Troffer

2x4 Dual Side Basket Direct/Indirect T-bar LED Luminaire

Features

- Premium grade, recessed
- Lay-in direct indirect.
- Perforated metal dual side baskets for glare-free lighting
- UL listed, lamps are DLC approved
- (2) installed 4000k T5HO LED lamps
- 50,000 hour lifetime

Specifications

- 120-277v ballasts are thermally protected Class P, non-PCB and UL listed. And sound rated "A".
- Housings are formed from cold rolled steel and painted with a high-gloss, baked white enamel finish after multi-stage cleaning and a phosphate coating to inhibit rust, has been applied.
- Fixture is designed for T-bar.
- Visible reflectance surface is painted with flat white enamel for a soft appearance.
- 2 Installed T5 LED lamps operate from installed T5HO ballast and deliver a total of 6400 initial lumens.
- Perforated metal baskets have an acrylic inlay to diffuse the light.

Application

- Commercial/Residential
- Classrooms
- Offices
- Retail Stores
- Libraries



Accessories

- Flange kits for dry wall installation

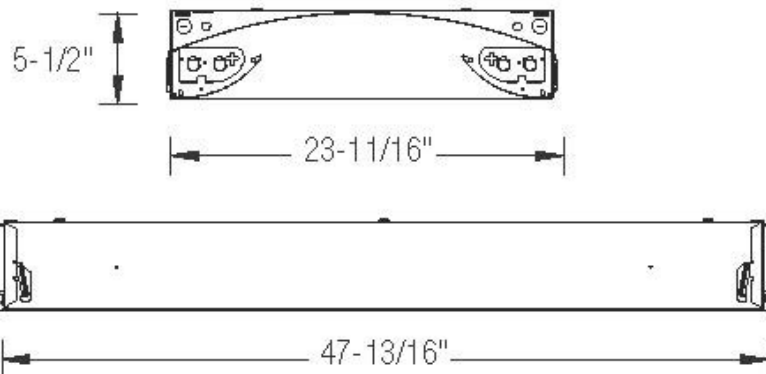
Catalog Number	Type

LED SDLT Grid Troffer

2x4 Dual Side Basket Direct/Indirect T-Bar LED Luminaire

Dimensions are subject to change.
Consult factory for verification.
All configurations may not be shown.

Dimensions



DESCRIPTION

27W T5 LED | 4000K | >80 CRI | High Efficiency | Ballast Compatible

LAMP TYPE: Linear
BULB TYPE: T5 LED
BASE TYPE: G5 (Miniature Bi-Pin)
WATTAGE: 27W
COLOR TEMPERATURE: 4000K
COLOR RENDERING INDEX (CRI): >80
WARRANTY: 5 Years

OPERATING SPECIFICATIONS

ELECTRICAL AND PERFORMANCE CHARACTERISTICS

Input Voltage	CRI	Bare Lamp Wattage	System Wattage*	Initial Lumens*	Nominal Bare Lamp Efficacy	Nominal System Efficacy	Power Factor	Max. THD
Ballast Dependent	>80	27W	30W	3200 lm	118 lm/W	106 lm/W	>0.9	20%

* Nominal values. Actual values may vary depending on electronic ballast used.

Ordering Information

LED4K-SDLT-254-3XV

