

Features

- Spade shaped end caps
- 4' & 8' lengths available
- Perforated or slotted for downlight
- UL listed, LED lamps are DLC approved
- 3500k, 4000k & 5000k

Specifications

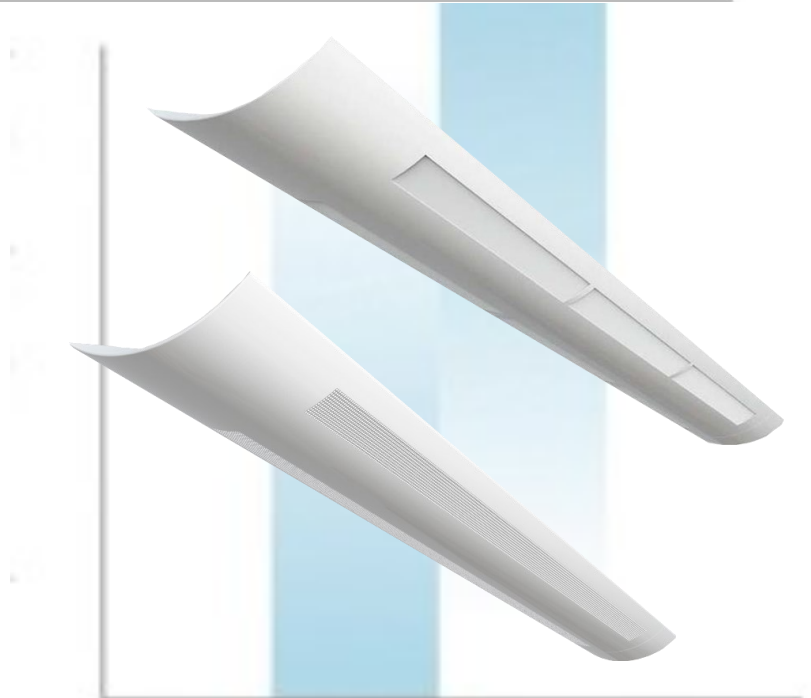
- 120-277v ballasts are thermally protected Class P, non-PCB and UL listed. And sound rated "A".
- Housings are roll formed steel. Option of perforated or slotted bottom.
- Fixture is designed for cable or pendant mounting.
- LED lamps operate from instant start ballast.
- Row mountable
- Slotted bottom at least 20% downlight through opaque overlay. Perforated bottom 15% downlight.

Application

- Commercial/Residential
- High-end garages
- Libraries
- Offices & conference rooms

Options

- Dual level wiring
- 3500k, 4000k, 5000k
- 0-10v Dimming



Accessories

- Emergency battery pack
- Stems/canopy
- Cable hanging kits

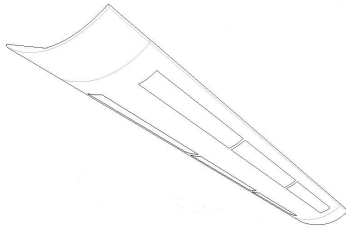
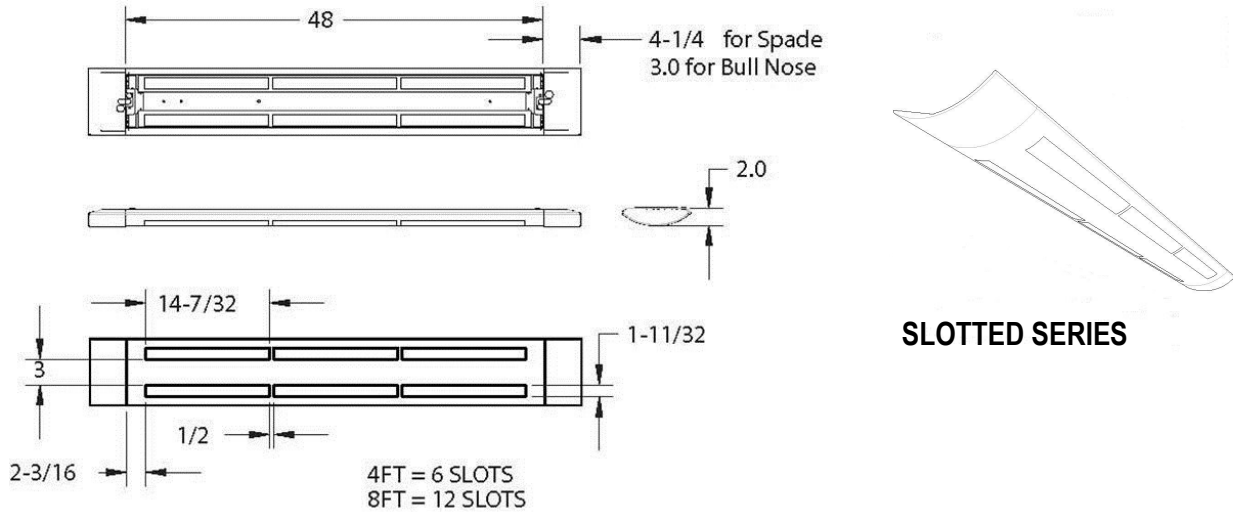
Catalog Number	Type

LED DELTA LINEAR SERIES

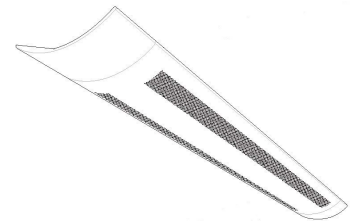
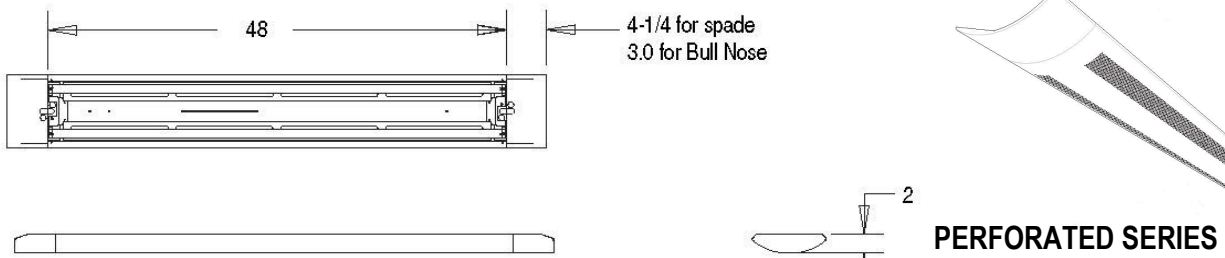
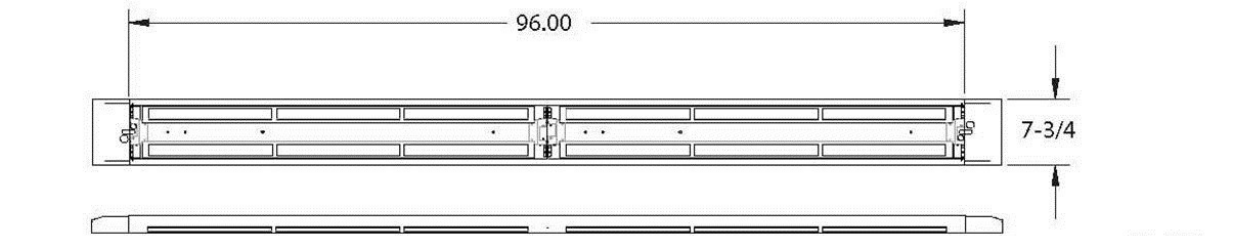
4' OR 8' Lengths

Dimensions

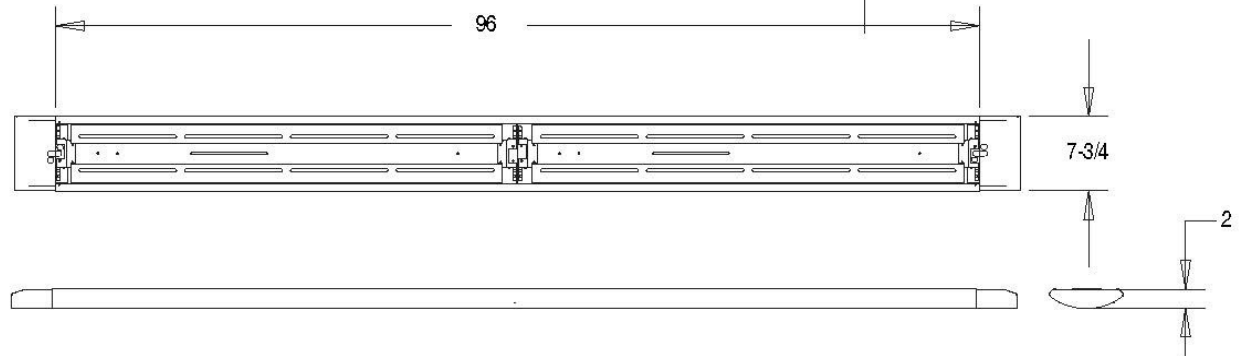
Dimensions are subject to change.
Consult factory for verification.
All configurations may not be shown.



SLOTTED SERIES



PERFORATED SERIES



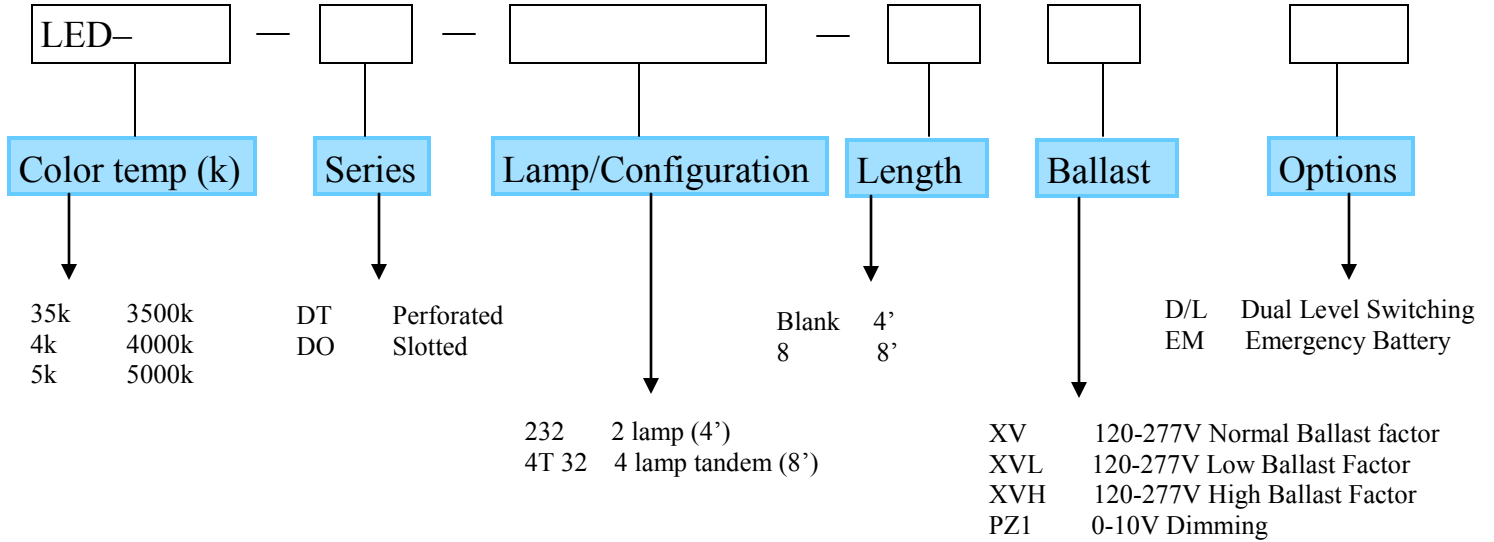
LED DELTA LINEAR SERIES

4' OR 8' Lengths

Dimensions are subject to change.
Consult factory for verification.
All configurations may not be shown.

ORDERING INFORMATION

Example: LED4K-DT-4T32-8 XV



LED T8 LAMPS

COLOR TEMP (k) Lamp length	AVERAGE SYSTEM WATTS			INITIAL LUMENS PER LAMP		
	LOW BALLAST FACTOR (0.78)	NORMAL BALLAST FACTOR (0.88)	HIGH BALLAST FACTOR (1.18)	LOW BALLAST FACTOR (0.78)	NORMAL BALLAST FACTOR (0.88)	HIGH BALLAST FACTOR (1.18)
3500k	15 w	18 w	23 w	1800	2200	2800
4000k	15 w	18 w	23 w	1800	2200	2800
5000k	15 w	18 w	23 w	1800	2200	2800

