

Features

- Premium grade, recessed
- Lay-in parabolic.
- 2 1/2" deep, semi-specular louver
- UL listed, Ballast Driven or Direct Drive LED lamps are DLC approved
- Available in 2x2 & 2x4
- 3500k, 4000k & 5000k Ballast driven
- 4000k Direct Drive
- Optional 0-10v dimming with ballast

Specifications

- 120-277v ballasts are thermally protected Class P, non-PCB and UL listed. And sound rated "A".
- Housings are formed from cold rolled steel and painted with a high-gloss, baked white enamel finish after multi-stage cleaning and a phosphate coating to inhibit rust, has been applied.
- Fixture is designed for T-bar.
- Louver is 2 1/2" deep, semi-specular, low indescendent aluminum.
- Installed LED lamps operate from electronic ballast. Direct Drive lamps are line voltage.

Application

- Commercial/Residential
- Classrooms
- Offices
- Retail Stores
- Libraries



Accessories

- Emergency battery pack (with ballast)
- Flange kits for dry wall installation
- Dual ballasts

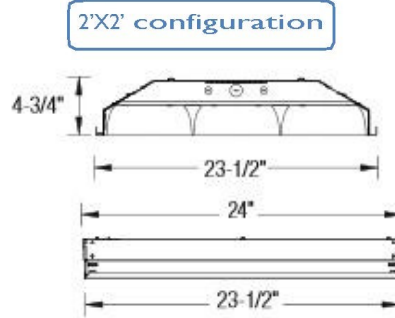
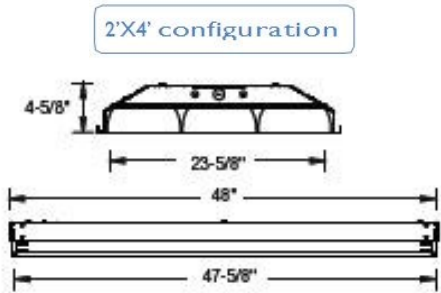
Catalog Number	Type

LED P2G Grid Troffer Series

Parabolic T-bar Luminaire

Dimensions are subject to change.
Consult factory for verification.
All configurations may not be shown.

Dimensions



LED T8 LAMPS

AVERAGE SYSTEM WATTS

INITIAL LUMENS PER LAMP

COLOR TEMP (k) Lamp length	AVERAGE SYSTEM WATTS			INITIAL LUMENS PER LAMP		
	LOW BALLAST FACTOR (0.78)	NORM BALLAST FACTOR (0.88)	HIGH BALLAST FACTOR (1.18)	LOW BALLAST FACTOR (0.78)	NORM BALLAST FACTOR (0.88)	HIGH BALLAST FACTOR (1.18)
2' 3500k	8 w	9 w	13 w	950	1100	1600
2' 4000k	8 w	9 w	13 w	950	1100	1600
2' 5000k	8 w	9 w	13 w	950	1100	1600
4' 3500k	15 w	18 w	23 w	1800	2200	2800
4' 4000k	15 w	18 w	23 w	1800	2200	2800
4' 5000k	15 w	18 w	23 w	1800	2200	2800

DIRECT DRIVE LED T8 LAMPS

INPUT VOLT-AGE	POWER CONSUMPTION	POWER FACTOR	INPUT CURRENT	LUMENS PER LAMP
2' 120-277Vac	7W	>0.9	0.06A @ 120V / 0.03A @ 277V	900 LM
4' 120-277Vac	18W	>0.9	0.15A @ 120V / 0.07A @ 277V	1900 LM

Ordering Information

Example: LED4K-P2G18-3S332-3XV

