

LED Lamped Wrap Series

LED lamped wrap fixture

Features

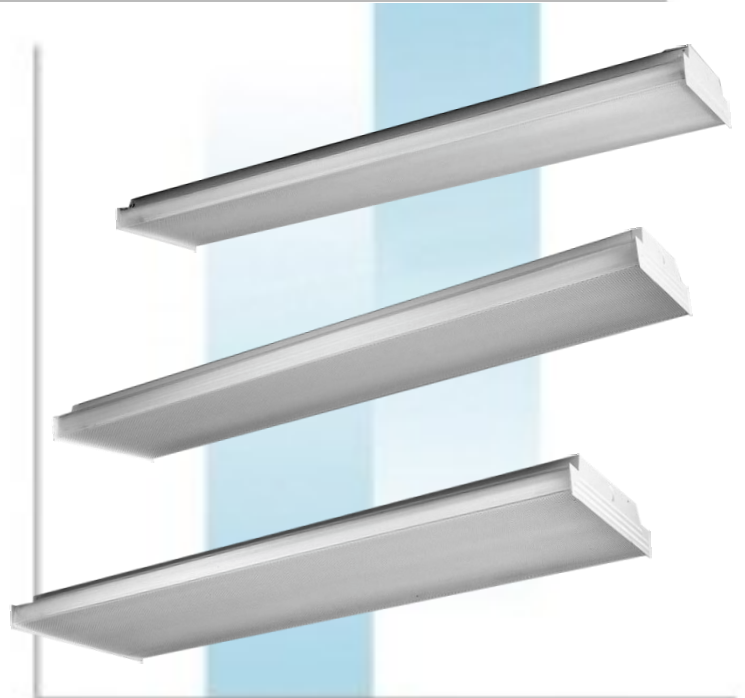
- 9", 11" & 16" wide
- Lift and shift lens mounting from either side
- UL listed, Ballast Driven or Direct Drive LED lamps are DLC approved
- 3500k, 4000k & 5000k
- 4000k Direct Drive
- 0-10v Dimming option (with ballast)

Specifications

- 120-277v ballasts (standard) are thermally protected Class P, non-PCB and UL listed. And sound rated "A".
- Housings are formed from cold rolled steel and painted with a high-gloss, baked white enamel finish after multi-stage cleaning and a phosphate coating to inhibit rust, has been applied.
- Fixture is designed for ceiling mount.
- Installed LED lamps operate from electronic ballast. Direct Drive lamps are line voltage.
- Diffuser is 100% virgin acrylic that is of a lift and shift design for easy servicing.
- CRI >83 / 100+ lumens per watt.

Application

- Commercial/Residential
- Offices
- Kitchens
- General Lighting



Accessories

- Emergency battery pack (with ballast)

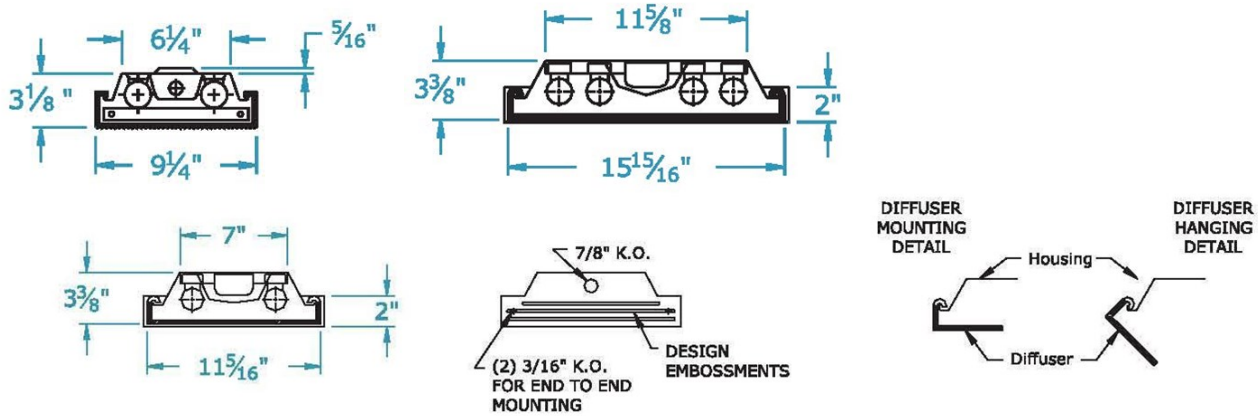
Catalog Number	Type

LED Lamped Wrap w/ Ballast

LED lamped wrap fixture

Dimensions are subject to change.
Consult factory for verification.
All configurations may not be shown.

Dimensions



LED T8 LAMPS

COLOR TEMP (k) Lamp length	AVERAGE SYSTEM WATTS			INITIAL LUMENS PER LAMP		
	LOW BALLAST FACTOR (0.78)	NORMAL BALLAST FACTOR (0.88)	HIGH BALLAST FACTOR (1.18)	LOW BALLAST FACTOR (0.78)	NORMAL BALLAST FACTOR (0.88)	HIGH BALLAST FACTOR (1.18)
2' 3500k	8 w	9 w	13 w	950	1100	1600
2' 4000k	8 w	9 w	13 w	950	1100	1600
2' 5000k	8 w	9 w	13 w	950	1100	1600
4' 3500k	15 w	18 w	23 w	1800	2200	2800
4' 4000k	15 w	18 w	23 w	1800	2200	2800
4' 5000k	15 w	18 w	23 w	1800	2200	2800

DIRECT DRIVE LED T8 LAMPS

INPUT VOLT-AGE	POWER CONSUMPTION	POWER FACTOR	INPUT CURENT	LUMENS PER LAMP
2' 120-277Vac	7W	>0.9	0.06A @ 120V / 0.03A @ 277V	900 LM
4' 120-277Vac	18W	>0.9	0.15A @ 120V / 0.07A @ 277V	1900 LM

Ordering Information

Example: LED4K-202-32 XV

