

Features

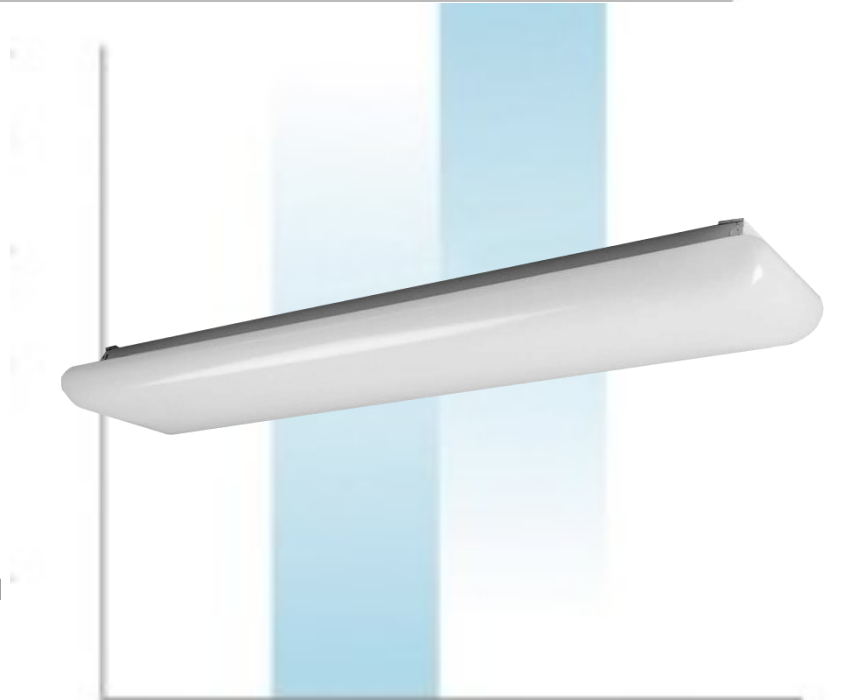
- 2 sizes available
- Translucent curved acrylic diffuser
- UL listed, Driver & module kits are DLC approved
- 3500k, 4000k & 5000k
- 0-10v Dimmable

Specifications

- 120-277v HPF / 50,000 hrs / 100+ lumens per watt / CRI >80.
- Driver max case temperature 194° F/ 90° C / THD: <20%. Board max temperature 185° F/ 85° C .
- Housings are formed from cold rolled steel and painted with a high-gloss, baked white enamel finish after multi-stage cleaning and a phosphate coating to inhibit rust, has been applied.
- Fixture is designed for ceiling mount.
- Diffuser is 100% virgin acrylic.

Application

- Commercial/Residential
- Offices
- Kitchens
- General Lighting



Accessories/Options

- Emergency battery pack

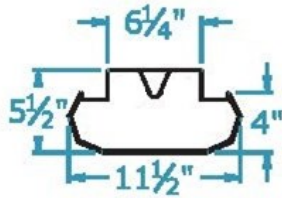
Catalog Number	Type

LED Cloud 9 Mushroom Series

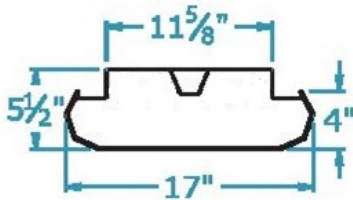
LED Cloud Fixture

Dimensions and specifications are subject to change. Consult factory for verification.

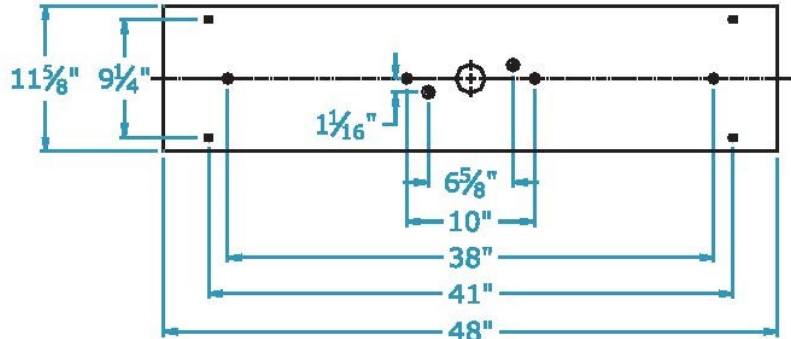
Dimensions



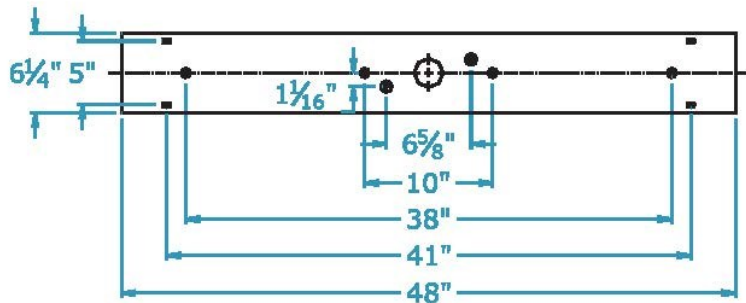
9"x 4"



16" X 4"



164 SIZE



09 SIZE

Ordering Information

Example: LEDK-C9M-09-44W-4K

