

Palisade LED Panel Light

2X2 & 2X4

Features

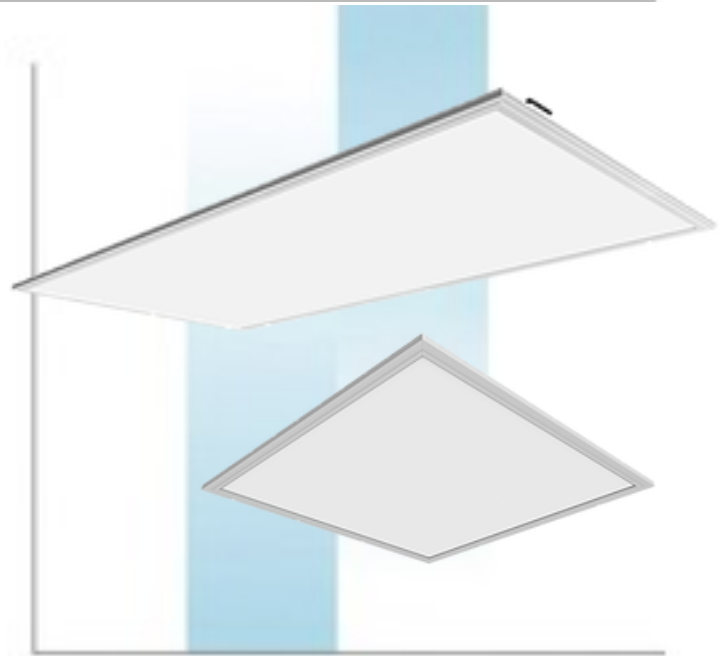
- Sustainable illumination
- Commercial-grade, recessed, lay-in T-bar luminaire
- 2x2 & 2x4 configuration
- UL listed, DLC certified
- 0-10v Dimmable

Specifications

- 100-277v standard.
- Long life LEDs coupled with 100-277v high efficiency drivers provide quality illumination. Rated to deliver L80 performance > 50,000 hours.
- CCT 4000k & 5000k
- White plastic diffuser distributes even light throughout.
- Designed for recessed applications.
- Operating temperature -4° to +104° F

Application

- Schools
- Retail Stores
- Offices
- Hospitals
- Nursing Homes



Accessories

- Flange kits for dry wall applications
- Emergency Battery Pack

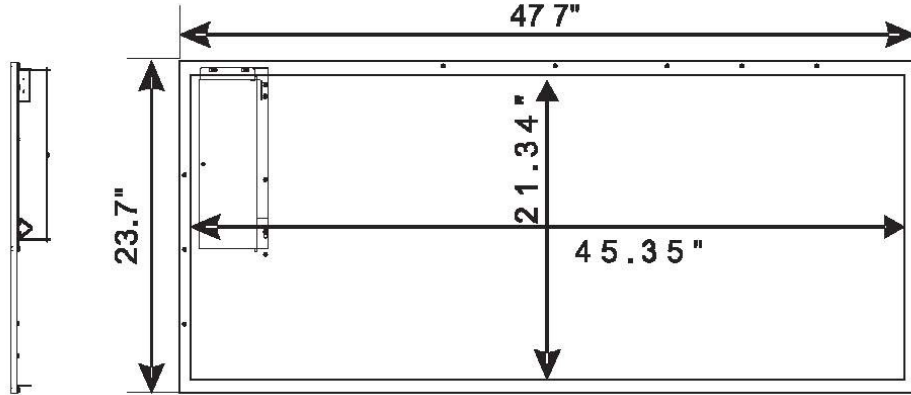
Catalog Number	Type

Palisade LED Panel Light

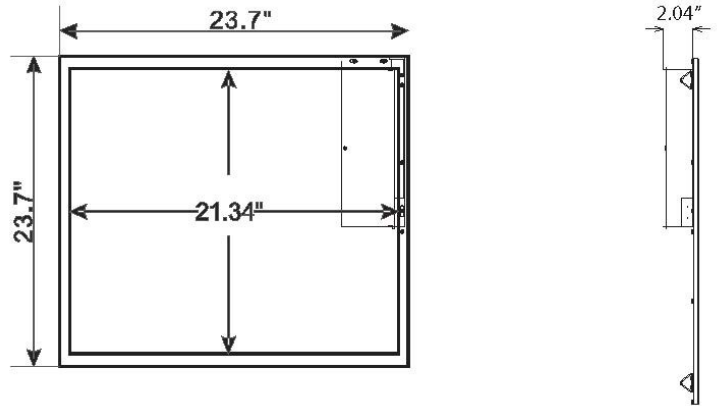
2X2 & 2X4

Dimensions

Dimensions are subject to change.
Consult factory for verification.
All configurations may not be shown.



2 x 4



2 x 2

Size	Luminous Flux	Watts
2x2	4200 lm	40w
2x4	5400 lm	50w

Ordering Information

Example: LED-PL-24-50W-4K

