

LED Grid Troffer

2x2, 1x4 & 2x4

Features

- Premium grade, recessed
- T-bar ceiling installation
- Optional flange kit for drywall installation
- UL listed, LED driver and module kits are DLC listed.
- Available in 1x4, 2x2 & 2x4
- 3500k, 4000k & 5000k
- 0-10v Dimmable

Specifications

- 120-277v HPF / 50,000 hrs / 100+ lumens per watt / CRI >80.
- Driver max case temperature 194° F / 90° C / THD: <20%. Board max temperature 185° F / 85° C .
- Housings are formed from cold rolled steel and painted with a high-gloss, baked white enamel finish after multi-stage cleaning and a phosphate coating to inhibit rust, has been applied.
- Fixture is designed for T-bar.
- Standard diffuser is 100% virgin acrylic.

Application

- Commercial/Residential
- Classrooms
- Offices
- Retail Stores
- Libraries
- Kitchens when using foam gasket on lens/door frame



Accessories

- Emergency battery pack
- Flange kits for dry wall installation
- Foam gasket on lens & door frame for kitchen applications

Catalog Number	Type

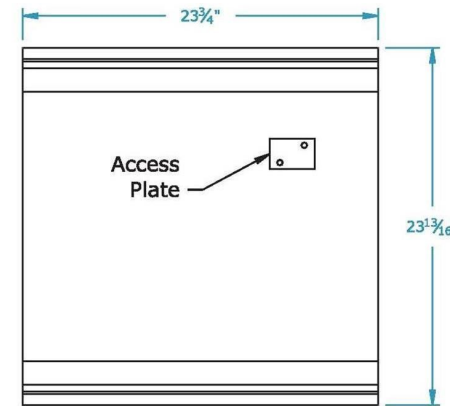
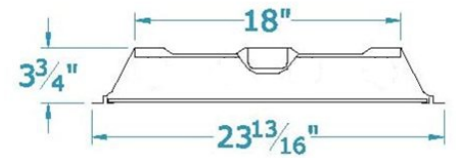
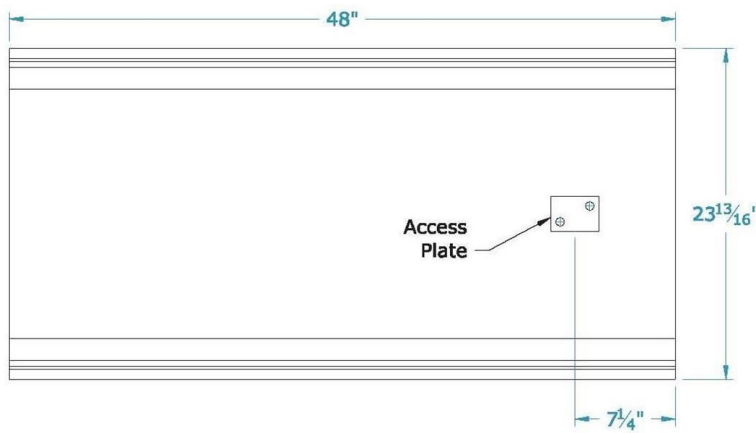
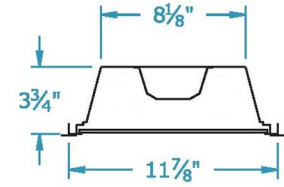
LED Grid Troffer

2x2, 1x4 & 2x4

Dimensions and specifications are subject to change. Consult factory for verification.

Dimensions

Back View



Ordering Information

Example: LEDK-724-GA1-44W-3-4K

