

LED Delta Slotted Linear

LED Direct/Indirect Linear with slotted bottom

Features

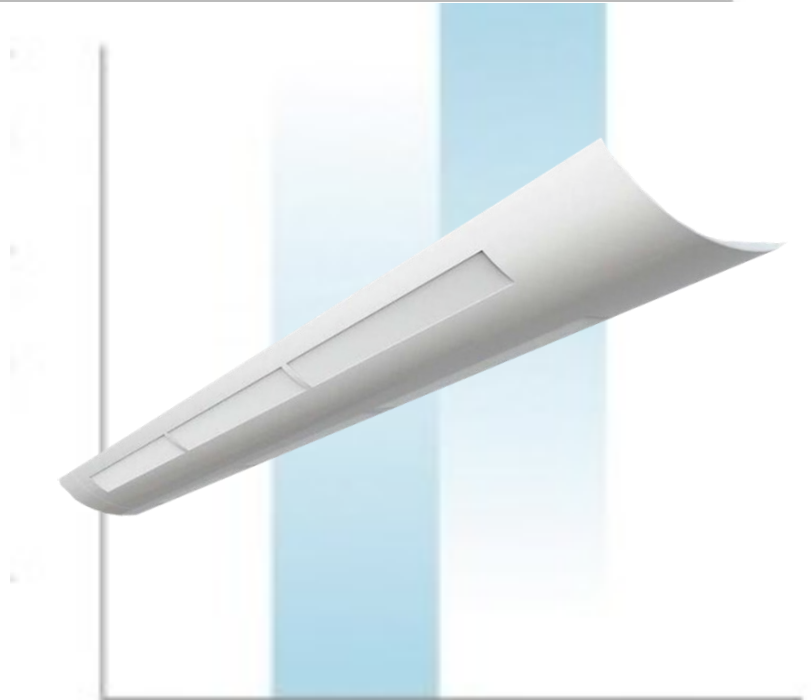
- Spade shaped end caps
- 4' & 8' lengths available
- Perforated or slotted for downlight
- UL listed, Driver & module kits are DLC approved
- 3500k, 4000k & 5000k
- 0-10v Dimmable

Specifications

- 120-277v HPF / 50,000 hrs / 100+ lumens per watt / CRI >80.
- Driver max case temperature 194° F/ 90° C / THD: <20%. Board max temperature 185° F/ 85° C .
- Housings are roll formed steel. Option of perforated or slotted bottom.
- Fixture is designed for cable or pendant mounting.
- Row mountable
- Slotted bottom at least 20% downlight through opaque overlay.

Application

- Commercial/Residential
- High-end garages
- Libraries
- Offices & conference rooms



Accessories

- Emergency battery pack
- Cable hanging kits

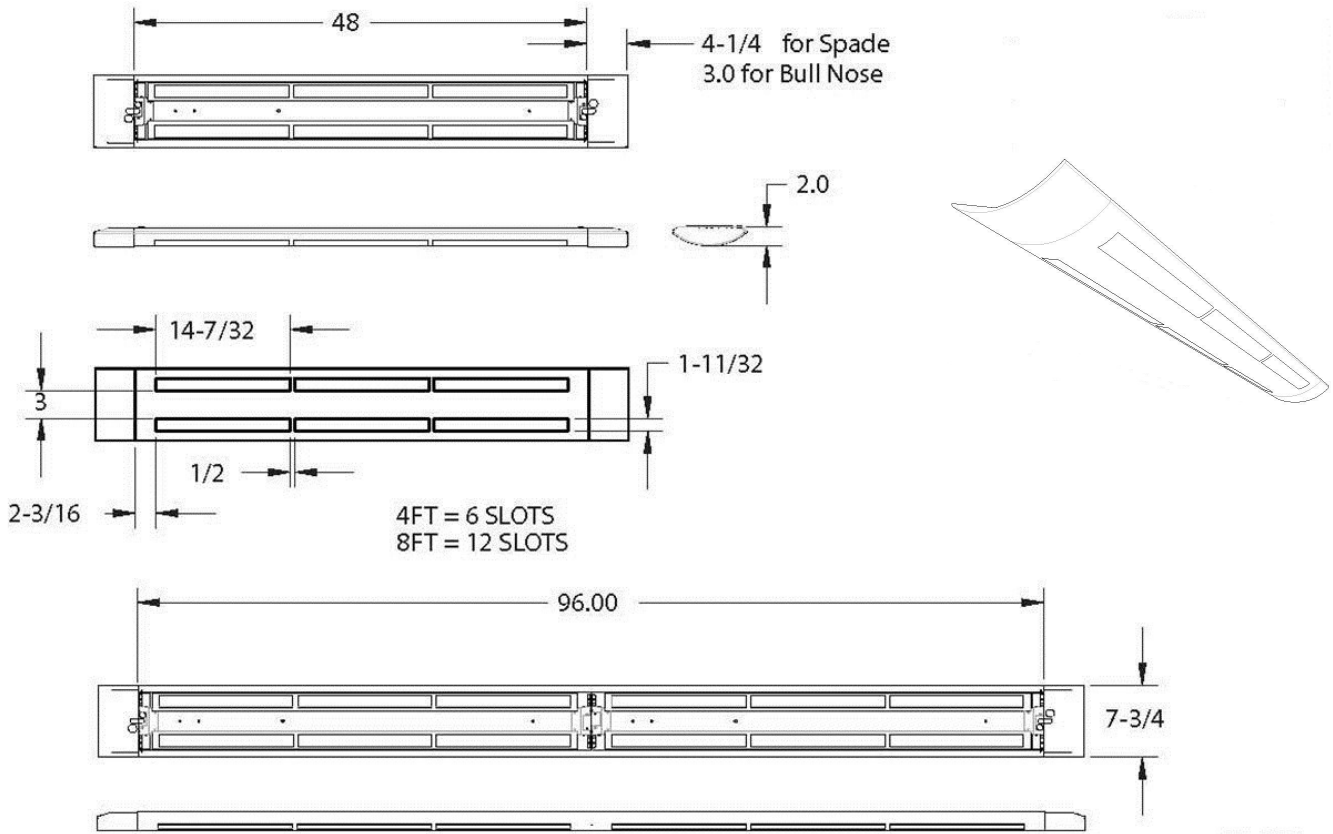
Catalog Number	Type

LED Delta Slotted Linear

4' OR 8' Lengths

Dimensions

Dimensions are subject to change.
Consult factory for verification.
All configurations may not be shown.



Ordering Information

Example: LEDK-DO-88W-8-4K

