

Features

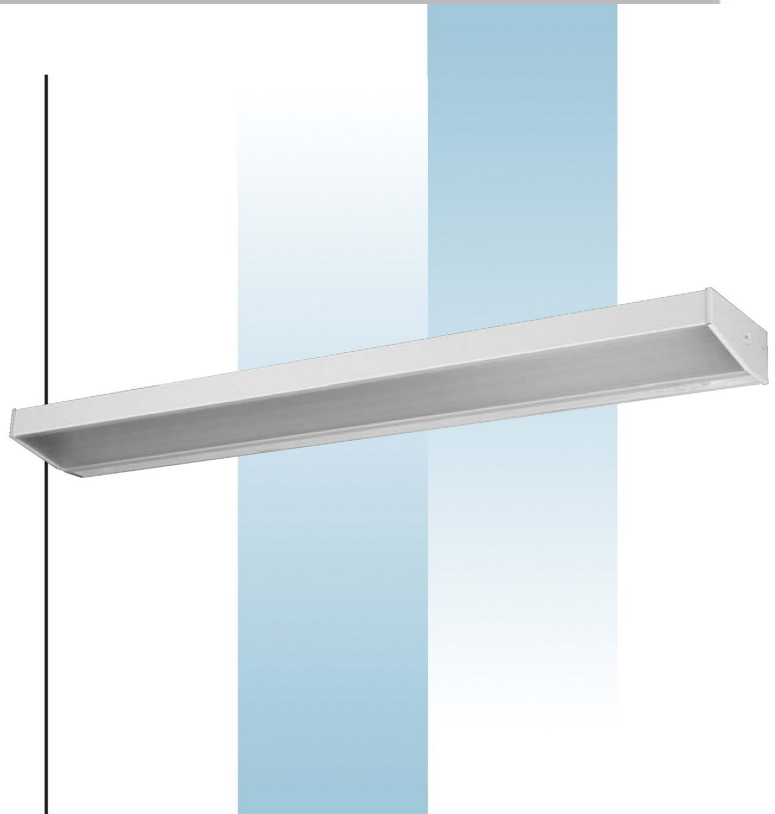
- White finish, wall mount
- UL listed, installed driver and module kits are DLC approved
- 3500k, 4000k & 5000k
- 0-10v Dimmable

Specifications

- 120-277v HPF / 50,000 hrs / 100+ lumens per watt / CRI >80. Total systems watts 44w.
- Driver max case temperature 194° F / 90° C / THD: <20%. Board max temperature 185° F / 85° C .
- Housings are formed from cold rolled steel and painted with a high-gloss, baked white enamel finish after multi-stage cleaning and a phosphate coating to inhibit rust, has been applied.
- Fixture is designed for wall mount.
- Standard diffuser is 100% virgin acrylic.

Application

- Commercial/Residential
- Corridors
- Bathrooms
- Hospitals
- Elder care facilities
- Hotel and motel facilities



Accessories/Options

- Emergency battery pack

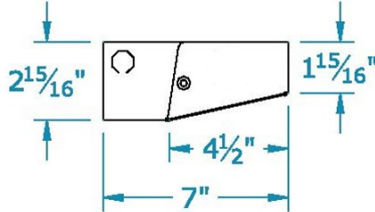
Catalog Number	Type

LED WB Series

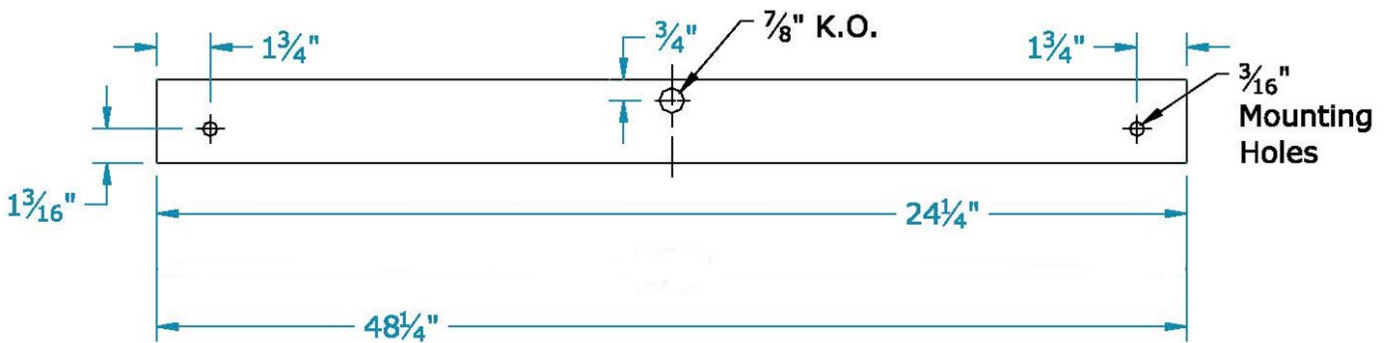
Dimensions are subject to change.
Consult factory for verification.
All configurations may not be shown.

Dimensions

End View



Back View



DLC Information:
Keystone Technologies
[4' KT-RKIT-24-5000-8**-VDIM](#)

Ordering Information

Example: LEDK-WB-44W-4K

