

# LED Aspen Bathbar

**Integrated LED bathbar fixture**

## Features

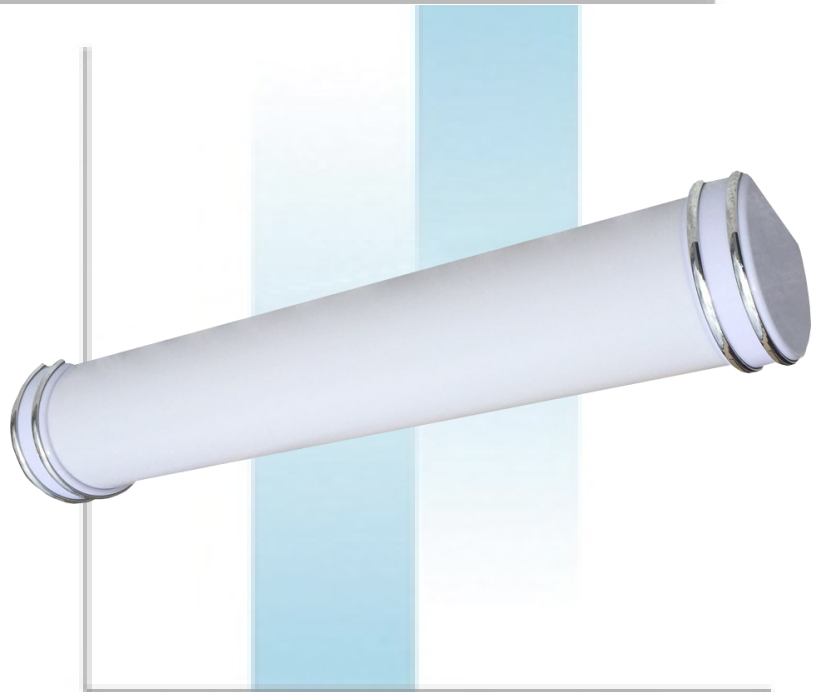
---

- 2' & 4' available
- 4 color choices on end caps
- Ceiling or wall mount
- UL listed, LED driver and module kits are DLC listed
- 3500k, 4000k & 5000k
- 0-10v Dimmable
- Chrome trim on end caps

## Specifications

---

- 120-277v HPF / 50,000 hrs / 100+ lumens per watt / CRI >80.
- Driver max case temperature 194° F / 90° C / THD: <20%. Board max temperature 185° F / 85° C .
- Housings are formed from cold rolled steel and painted with a high-gloss, baked white enamel finish after multi-stage cleaning and a phosphate coating to inhibit rust, has been applied.
- Fixture is designed for ceiling mount.
- Diffuser is 100% virgin acrylic that is easy removable for servicing access.



## Application

---

- Commercial/Residential
- Above Mirrors
- Office Spaces
- Above Counters

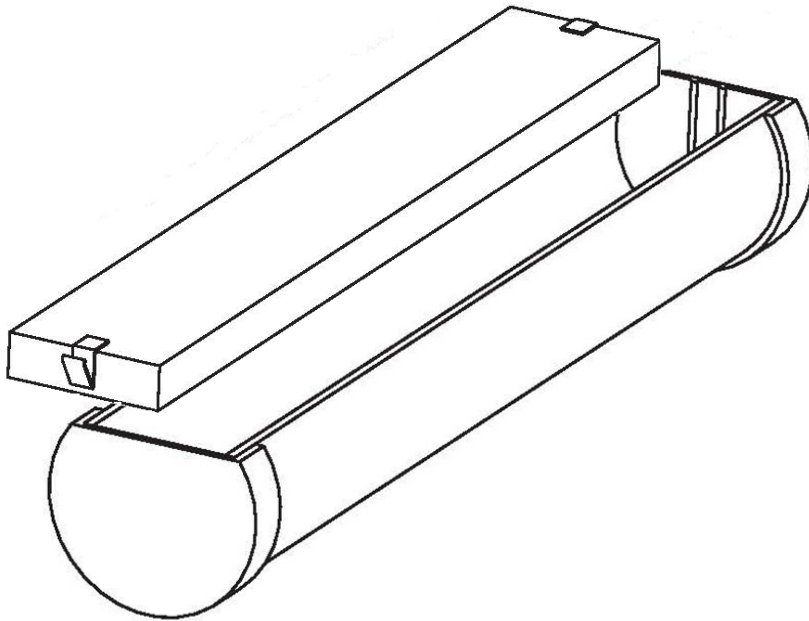
Catalog Number	Type

# LED Aspen Bathbar

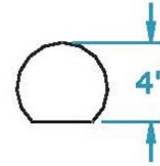
Integrated LED bathbar fixture

Dimensions and specifications are subject to change. Consult factory for verification.

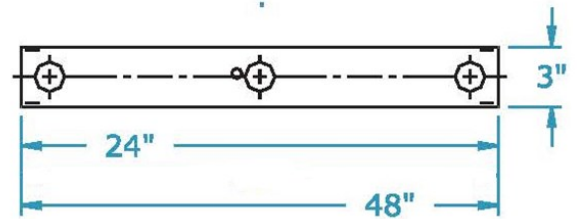
## Dimensions



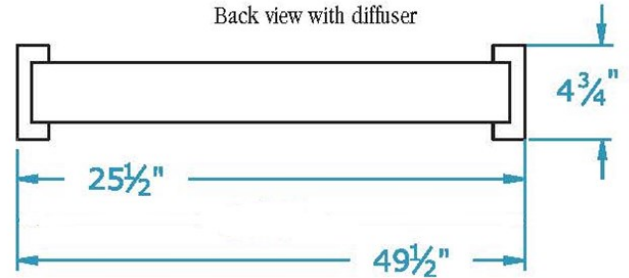
Diffuser Profile



Metal Profile



Back view with diffuser



### Ordering Information

Example: LEDK-ANJ-SW-C-44W-4K

