

Features

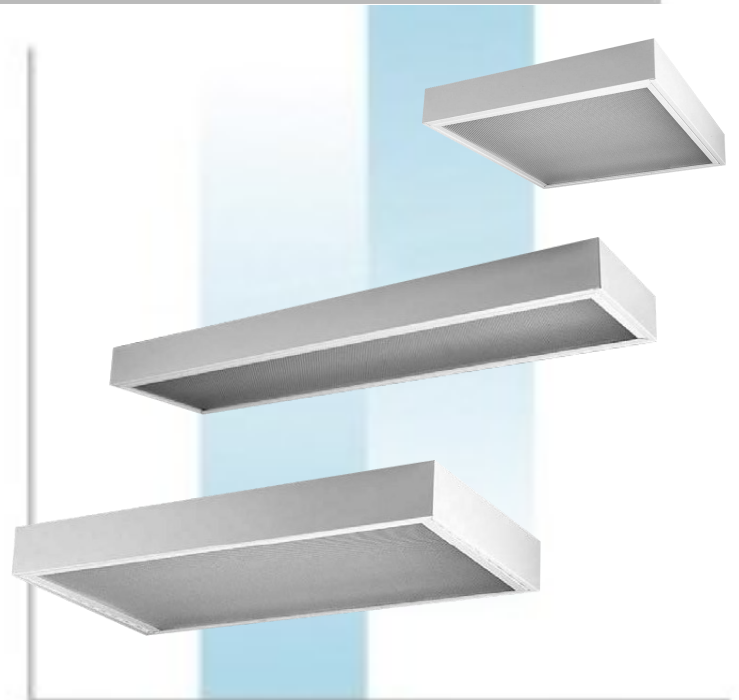
- White finish surface mount
- UL listed, Driver & module kits are DLC approved
- 3500k, 4000k & 5000k
- 0-10v Dimmable

Specifications

- 120-277v HPF / 50,000 hrs / 100+ lumens per watt / CRI >80.
- Driver max case temperature 194° F / 90° C / THD: <20%. Board max temperature 185° F / 85° C .
- Housings are formed from cold rolled steel and painted with a high-gloss, baked white enamel finish after multi-stage cleaning and a phosphate coating to inhibit rust, has been applied.
- Fixture is designed for ceiling mount.
- Standard diffuser is 100% virgin acrylic.

Application

- Commercial/Residential
- Classrooms
- Offices
- Retail Stores
- Libraries



Accessories/Options

- Emergency battery pack

Catalog Number	Type

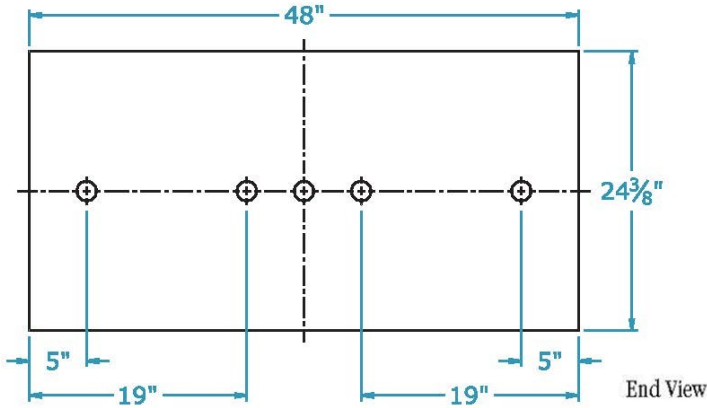
LED 800 Series

1x4, 2x2 & 2x4

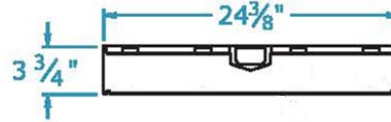
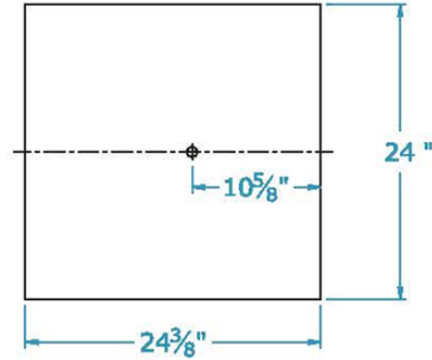
Dimensions and specifications are subject to change. Consult factory for verification.

Dimensions

Back View

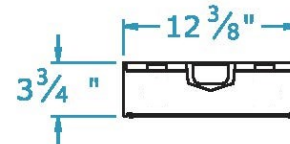
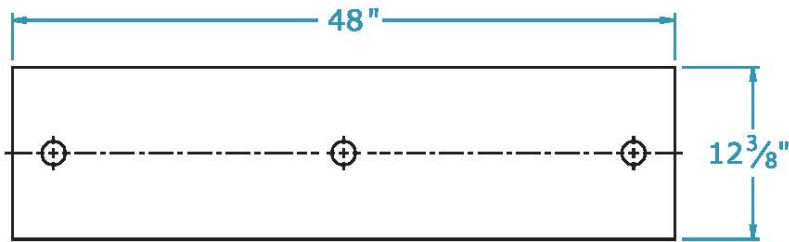


⊕ 7/8" K.O.



End View

End View



Ordering Information

Example: LEDK-822-SA1-36W-4K

