

LED 101 Open Strip

LED Open Face Strip

Features

- UL listed, Drive and module kits are DLC approved
- 3500k, 4000k & 5000k
- Available in 2' or 4'
- 0-10v Dimmable
- Designed for limited space applications

Specifications

- 120-277v HPF / 50,000 hrs / 100+ lumens per watt / CRI >80.
- Driver max case temperature 194° F / 90° C / THD: <20%. Board max temperature 185° F / 85° C .
- Housings are formed from cold rolled steel and painted with a high-gloss, baked white enamel finish after multi-stage cleaning and a phosphate coating to inhibit rust, has been applied.
- Fixture is designed for wall or ceiling mount.

Application

- Commercial/Residential
- Coves
- General Lighting
- Display Cases



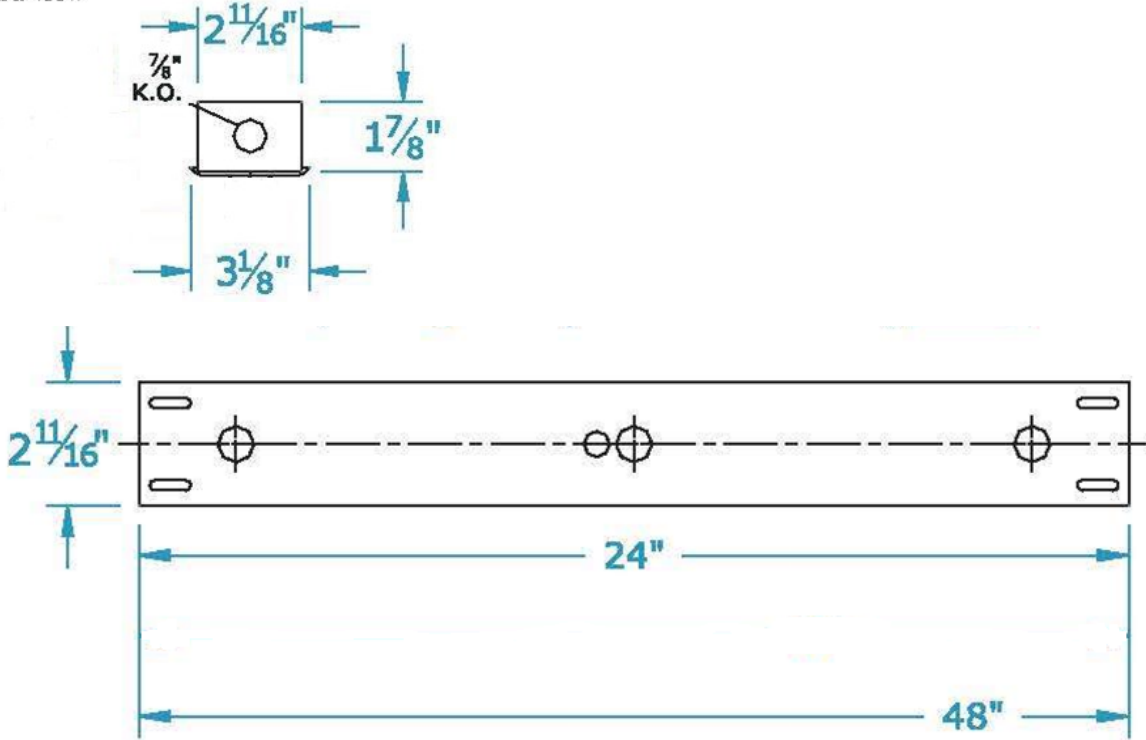
Catalog Number	Type

LED 101 Open Strip

Dimensions and specifications are subject to change. Consult factory for verification.

Dimensions

End View



Ordering Information

Example: LEDK-101-36W-4K

